


特性

- 大功率55A 277VAC继电器
- 触点间隙2.1mm/3.0mm可供选择
- 线圈保持电压可降至线圈额定电压的50~55% V 以达节能功效
- 高性能功率继电器，可用于光伏系统(太阳能逆变器)。
- 外形尺寸：(50.2×33×36)mm

触点参数

触点形式	1A,2A
接触电阻 ⁽¹⁾	≤10mΩ(10A 13.5VDC)
触点材料	银合金
触点负载(阻性)	55A 277VAC
最大切换额定电压	277VAC
最大切换额定电流	55A
最大切换额定功率	15235VA
机械耐久性	1,000,000次
电耐久性(阻性)	50,000次 (55A 277VAC,常温,1s通9s断)

备注：

- (1)上述值为初始值，吸合/释放时间不包含触点弹跳时间。
- (2)所有测试皆在常温常湿下执行。
- (3)必须考虑PC板温度，请检查实际PC板条件状态。
- (4)禁用二极管。若使用二极管会缩短预期寿命。建议使用突波吸收器(ZNR)来吸收继电器的线圈脉冲。
- (5)使用继电器请勿超过线圈规格负载、触点额定负载和预期寿命，否则可能会造成过热的风险。
- (6)为保障继电器的理想性能，请避免继电器遭受摔落、碰撞，以及不必要的冲击。
- (7)请勿在无通负载下开闭触点，以免接触电阻快速增加。
- (8)详细内容请与高登公司联系。

性能参数

绝缘电阻 ⁽¹⁾		1000MΩ(500VDC)
介质耐压	线圈与触点间	4000VAC 1min
	触点极间	2000VAC 1min(仅限2组触点)
	断开触点间	2000VAC 1min
动作时间(额定电压下)		≤30ms
释放时间(额定电压下)		≤30ms
振动		10Hz~55Hz 1.5mm 双振幅
冲击	稳定性	10G
	强度	100G
湿度		5%~85%Rh
温度范围		-40℃~85℃
引出端形式		印制板式
重量		约120g

备注：(1)上述值为初始值，吸合/释放时间不包含触点弹跳时间。

线圈规格表

温度：23°C

额定电压 (VDC)	额定电流 ±%(mA)	线圈电阻 ±10%(Ω)	最大连续外加电压	吸合电压 (Max)	释放电压 (Min)	线圈额定功率/保持功率 (W)
3	1066.7	2.8	额定电压的110%	额定电压的75%	额定电压的10%	3.2
6	533.4	11.3				
9	355.6	25.3				
12	266.7	45				
24	133.4	180				
48	66.7	720				

安规认证

认证类别	
证书号	
负载要求	通20A，承载50A，断开20A 277VAC 55A 277VAC; 55A 250VAC

G93 命名规则

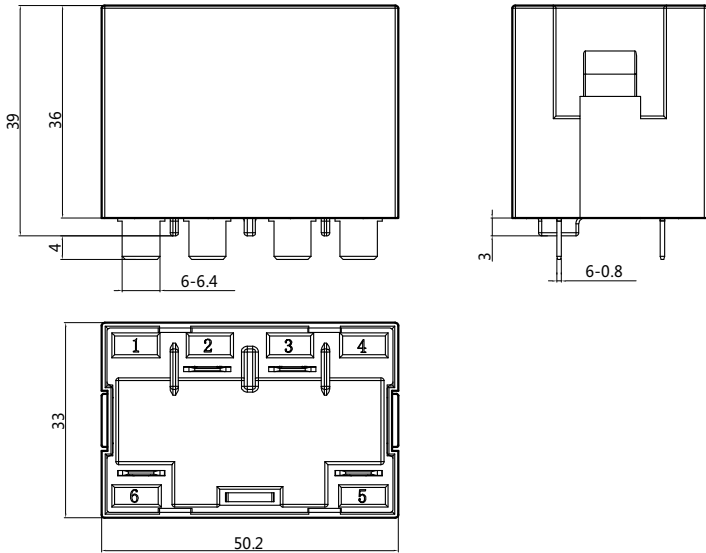
G93	-2A	-12	D	H	Q1	G	C	XXX	
									特殊说明：无--标准型；字母或数字--特殊说明
									密封方式：无--塑封防尘；C--全密封型
									触点间隙(GAP)：无--标准Gap≥2.1mm；G--Gap≥3.0mm
									结构形式：无--标准型(卡扣式外壳--线圈脚0.8×6.4)； Q1--锁螺钉外壳--线圈脚0.8×6.4； Q2--锁螺钉外壳--线圈脚0.8×1.2
									负载类型：无--标准负载；H--55A高负载
									线圈功率：D--3.2W
									线圈额定电压：(VDC)：3,6,9,12,24,48
									触点形式：1A--1组常开型；2A--2组常开型
									型号：G93

外形图、安装孔尺寸

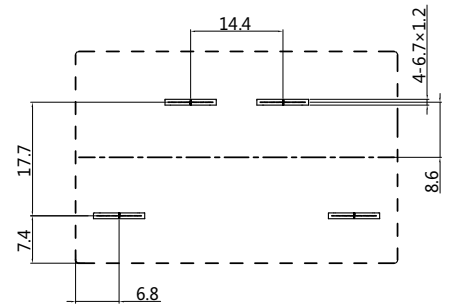
单位:mm

标准型 卡扣式外壳--线圈脚0.8×6.4

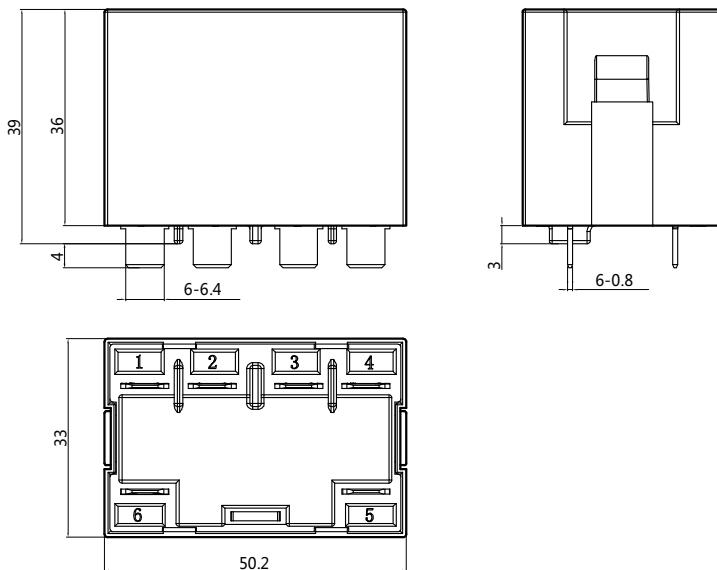
1A外形图



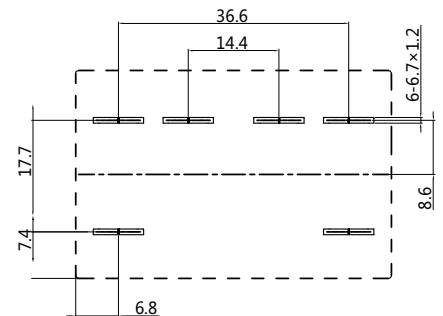
1A安装孔尺寸(底视图)



2A外形图



2A安装孔尺寸(底视图)

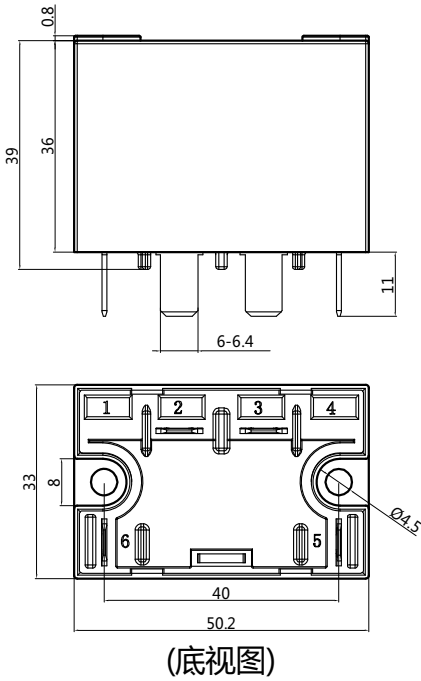


外形图、安装孔尺寸

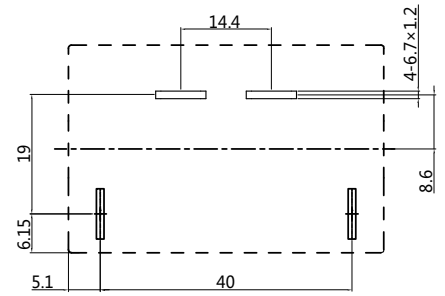
单位:mm

Q1 锁螺钉外壳--线圈脚0.8×6.4

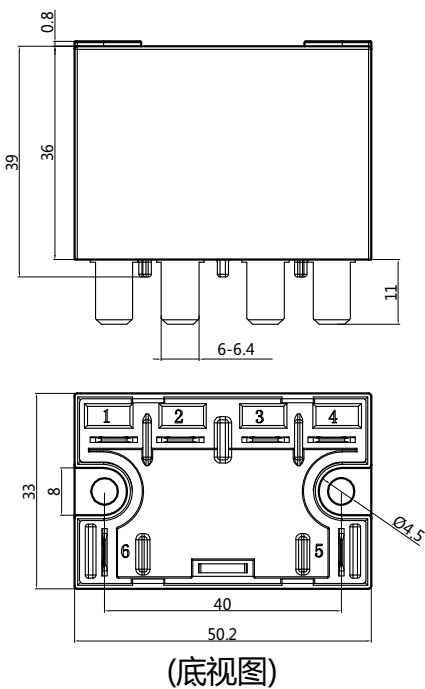
1A外形图



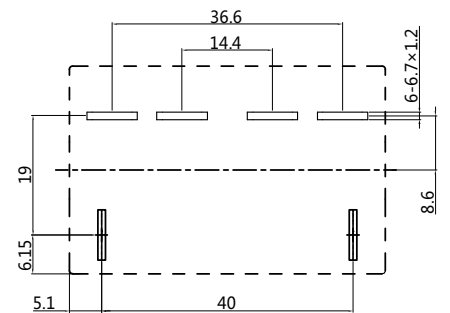
1A安装孔尺寸(底视图)



2A外形图



2A安装孔尺寸(底视图)

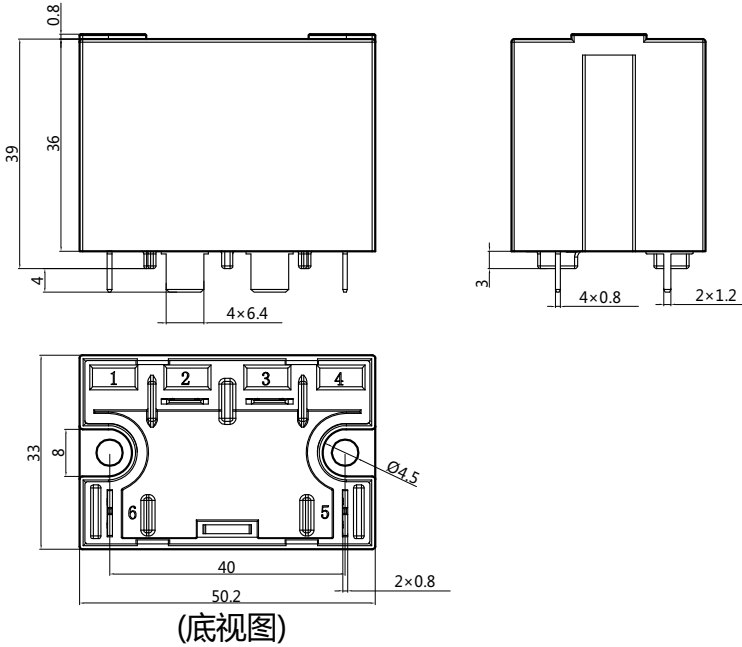


外形图、安装孔尺寸

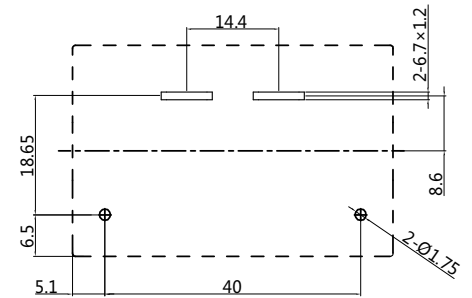
单位:mm

Q2 锁螺钉外壳-线圈脚0.8×1.2

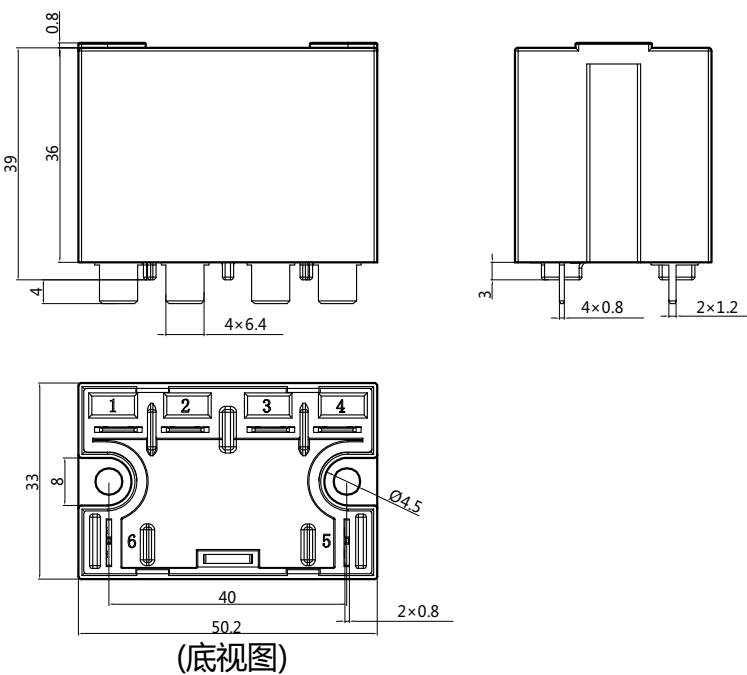
1A外形图



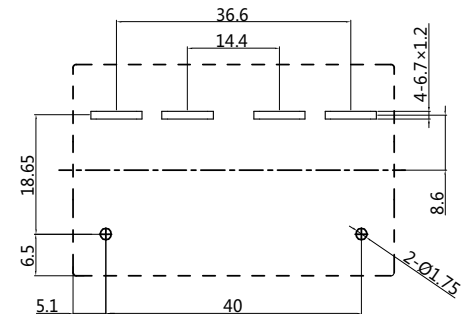
1A安装孔尺寸(底视图)



2A外形图



2A安装孔尺寸(底视图)



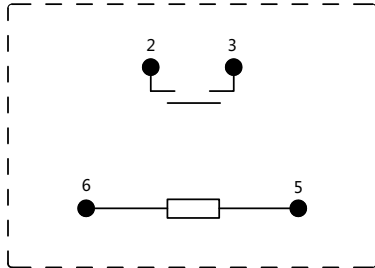
注：产品部分外形尺寸未注尺寸公差，
当外形尺寸 < 1mm，公差为 ± 0.2 mm；
当外形尺寸在 1~5mm 之间时，
公差为 ± 0.3 mm；当外形尺寸 > 5mm，
公差为 ± 0.4 mm。

注：引出端子尺寸为预焊前尺寸；
安装孔尺寸公差： ± 0.1 mm。

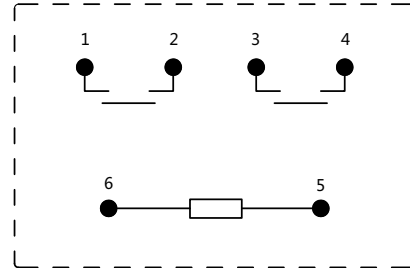
接线图 (底视图)

单位:mm

1A



2A



声明:

本产品规格书仅供客户使用时参考,若有更改,恕不另行通知。

对高登而言,不可能评定继电器在每个具体应用领域的所有性能参数要求,因而客户应该根据具体的使用条件选择与之相配的产品,若有疑问,请与高登联系获取更多的技术支持,但是产品选型责权由客户负责。

©深圳高登电科股份有限公司版权所有,本公司保留所有权利。



Characteristics

- High power 55A 277VAC relay
- Contact gap 2.1mm/3.0mm are available
- The coil holding voltage can be reduced to 50~55% V of the rated coil voltage
To achieve energy saving effect
- High-performance power relays can be used in photovoltaic systems (solar inverters)
- Sizes:(50.2× 33×36)mm

Contact parameter

Contact form	1A,2A
Contact resistance ⁽¹⁾	≤10mΩ(10A 13.5VDC)
Contact material	Silver alloy
Contact load (resistance)	55A 277VAC
Max. Switching Voltage	277VAC
Max. Switching Current	55A
Max. Switching Power	15235VA
Mechanical Life	1,000,000 ops.
Electrical Life (Resistive)	50,000 ops. (54A 277VAC, normal temperature, 1s on and 9s off)

Remark:

- (1) The above values are the initial values, and the pull-in/release time does not include the contact bounce time.
- (2) All tests are performed under normal temperature and humidity.
- (3) PC board temperature must be considered, please check the actual PC board condition status.
- (4) Disable the diode. The use of diodes will shorten the life expectancy. It is recommended to use a surge absorber (ZNR) to absorb the coil pulse of the relay.
- (5) Do not exceed the coil specification load, contact rated load and expected life when using the relay, otherwise it may cause the risk of overheating.
- (6) To ensure the ideal performance of the relay, please avoid the relay from being dropped, bumped, and unnecessary shocks.
- (7) Do not open and close the contacts under no-pass load to avoid the rapid increase of contact impedance.
- (8) For details, please contact Golden.

Performance parameter

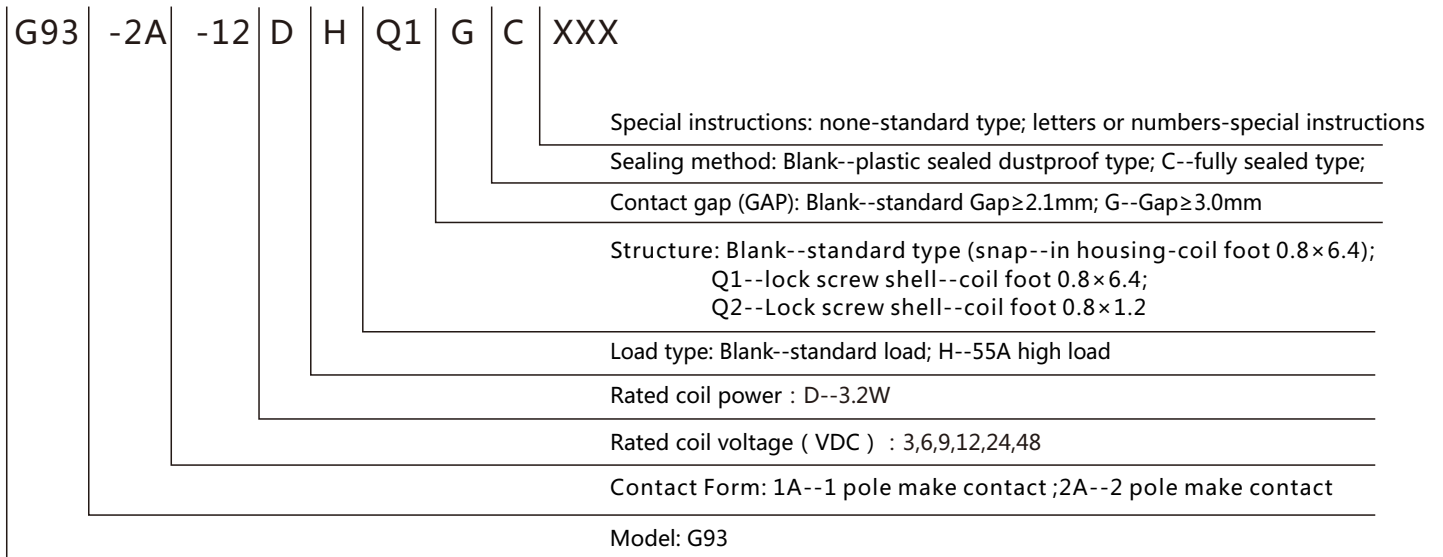
Insulation resistance ⁽¹⁾		1000MΩ(500VDC)
Dielectric Strength	Between coil & contacts	4000VAC 1min
	Between contacts & contacts	2000VAC 1min(only for 2 pole)
	Between open contacts	2000VAC 1min
Operating time (at rated voltage)		≤30ms
Release time (at rated voltage)		≤30ms
Vibration resistant		10Hz ~ 55Hz 1.5mm double amplitude
Impact resistance	Malfunction	10G
	Durability	100G
humidity		5% ~ 85%Rh
Operating Condition		-40°C ~ 85°C
Terminal Type		PCB
weight		About 120g

Remarks: (1) The above values are the initial values, and the pull-in/release time does not include the contact bounce time.

Coil parameter			Temperature: 23°C			
Nominal Voltage (VDC)	Rated current ±%(mA)	Coil resistance ±10%(Ω)	Maximum continuous applied voltage	Pull-in voltage (Max)	Release voltage (Min)	Coil rated power (W)
3	1066.7	2.8	110% of rated voltage	75% of rated voltage	10% of rated voltage	3.2
6	533.4	11.3				
9	355.6	25.3				
12	266.7	45				
24	133.4	180				
48	66.7	720				

Safety certification	
Certification category	
Certificate No	
Load requirement	making 20A, Carrying 50A, breaking 20A 277VAC 55A 277VAC; 55A 250VAC

G93 Naming rules

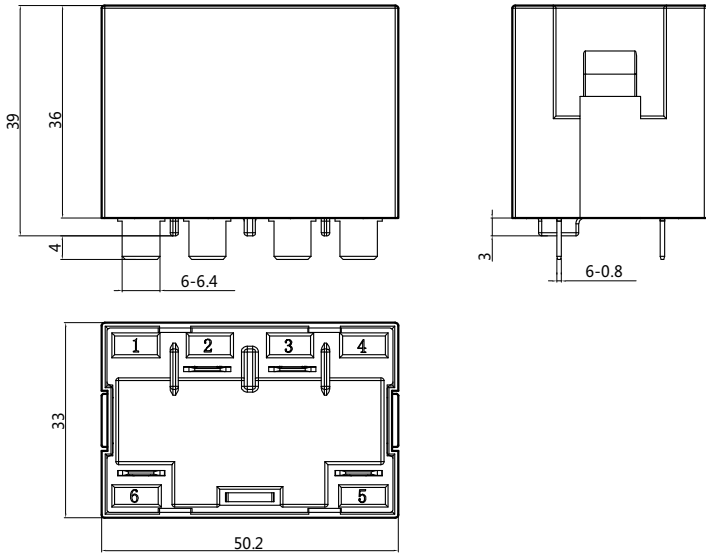


Outline drawing, mounting hole size

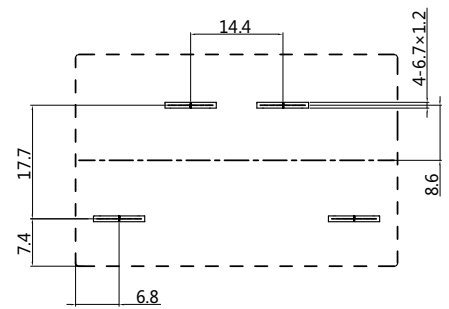
Unit: mm

Standard type snap-in shell--coil foot 0.8×6.4

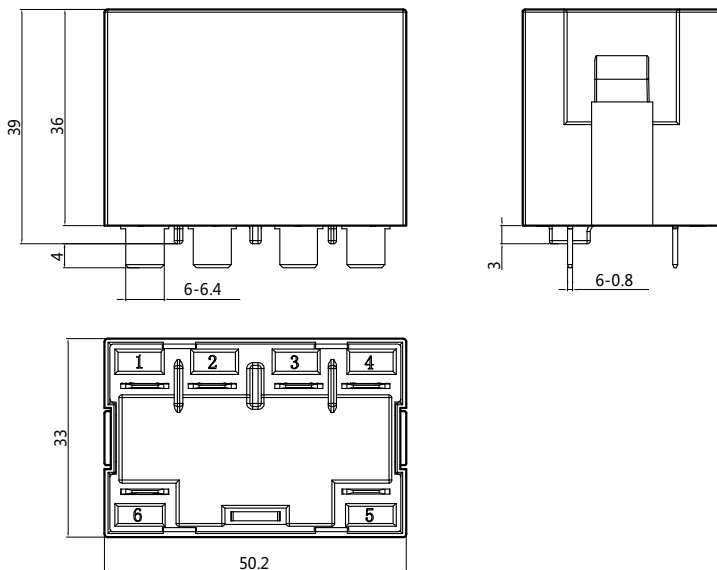
1A outline drawing



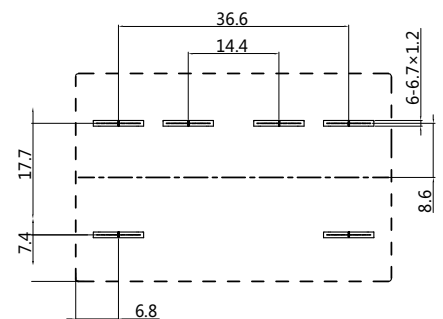
1A mounting hole size (bottom view)



2A outline drawing



2A mounting hole size (bottom view)

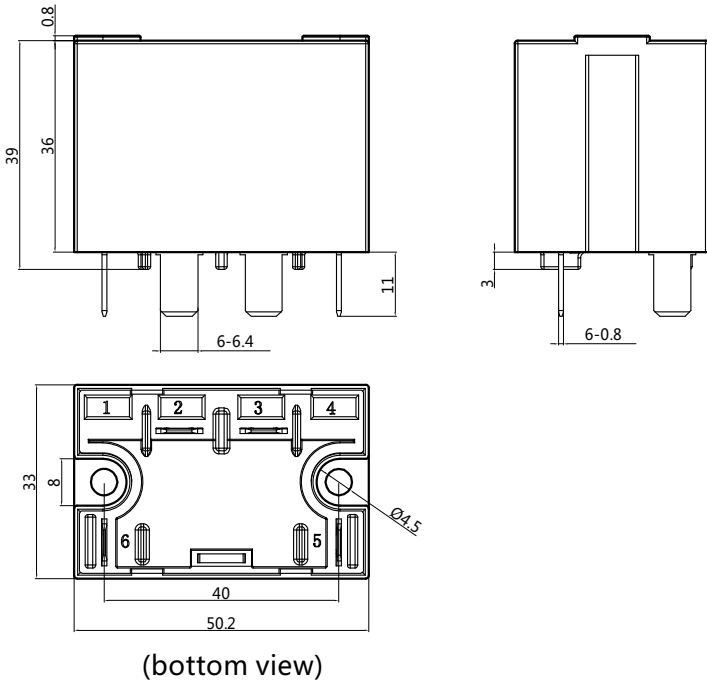


Outline drawing, mounting hole size

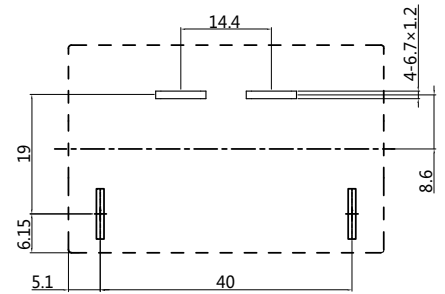
Unit: mm

Q1 Lock screw shell--coil foot 0.8×6.4

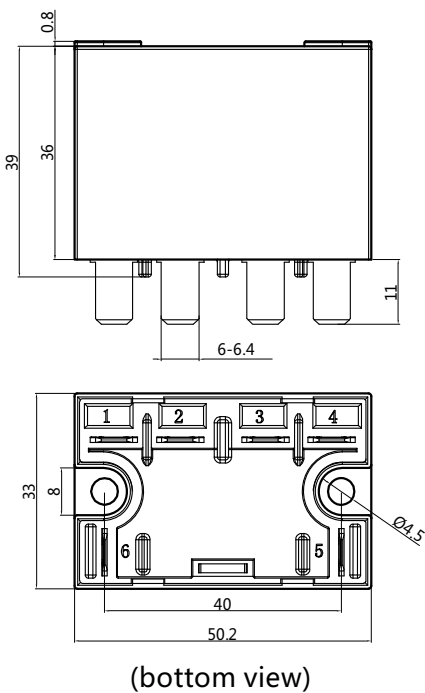
1A outline drawing



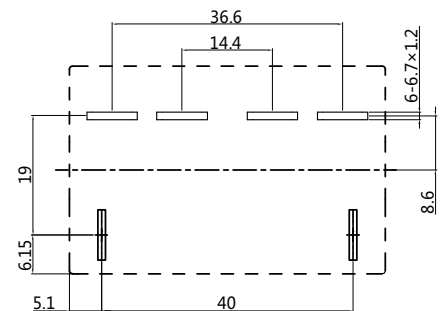
1A mounting hole size (bottom view)



2A outline drawing



2A mounting hole size (bottom view)

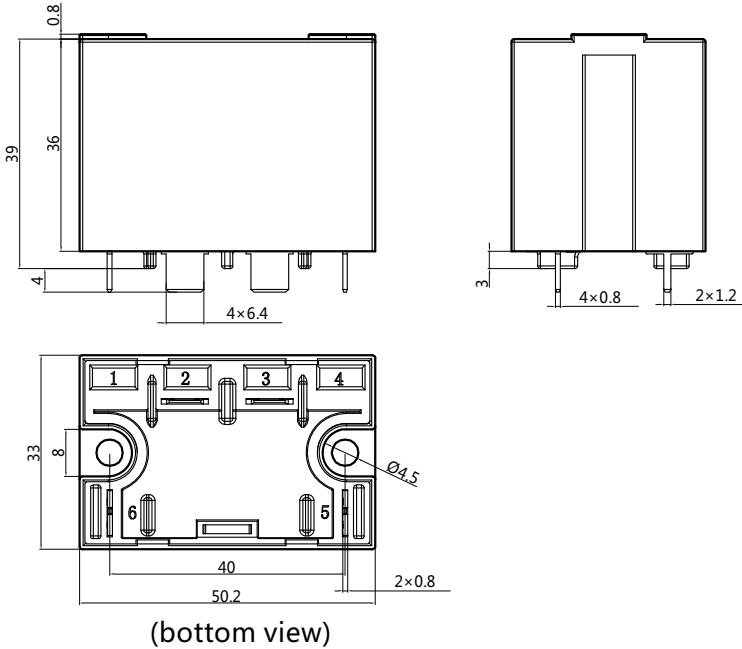


Outline drawing, mounting hole size

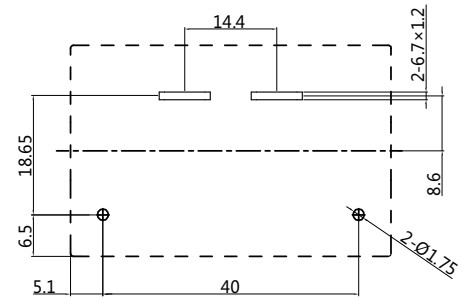
Unit: mm

Q2 Lock screw shell-coil foot 0.8×1.2

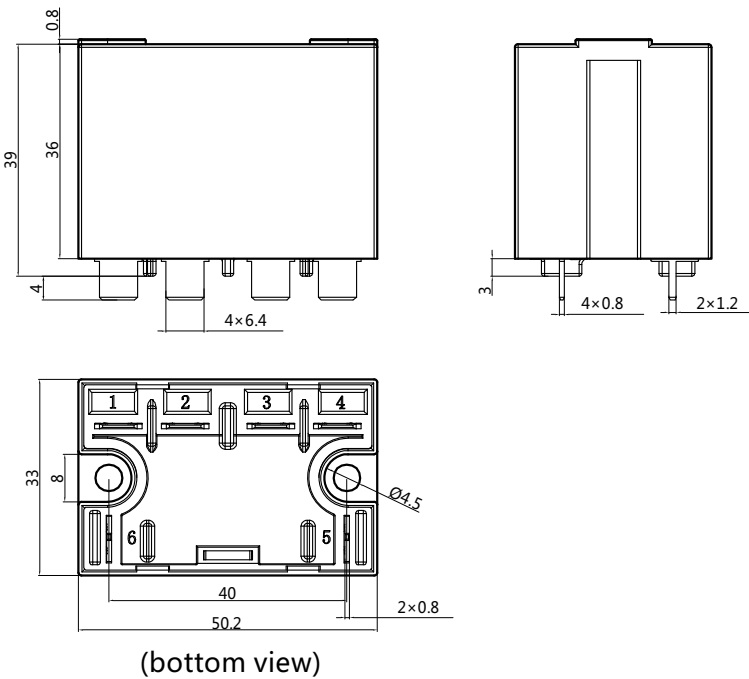
1A outline drawing



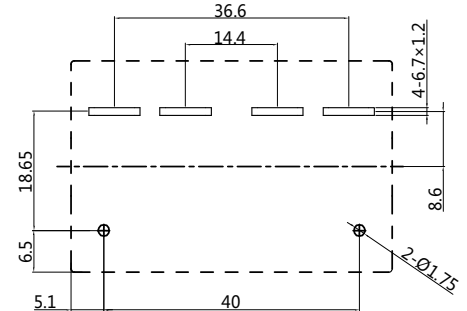
1A mounting hole size (bottom view)



2A outline drawing



2A mounting hole size (bottom view)



Note: Part of the product has no tolerances on the external dimensions.

When the external dimensions are less than 1mm,
the tolerance is ±0.2mm;

When the external dimension is between 1~5mm,
the tolerance is ±0.3mm;

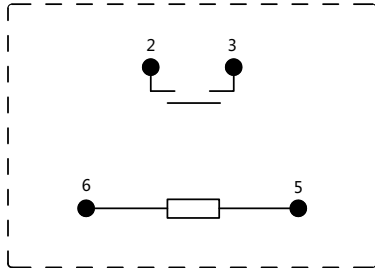
When the external dimension > 5mm,
the tolerance is ±0.4mm.

Note: The size of the lead terminal is the
size before pre-welding;
the size tolerance of the mounting
hole: ±0.1mm.

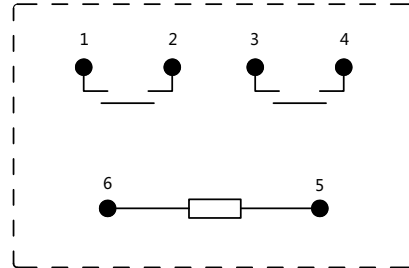
Wiring diagram (bottom view)

Unit: mm

1A



2A



statement:

This product specification is only for reference when customers use it, and subject to change without notice.

For Golden, it is impossible to evaluate all the performance parameter requirements of the relay in each specific application field. Therefore, the customer should choose the product that matches it according to the specific use conditions. If you have questions, please contact Golden for more technical support, but the customer is responsible for product selection.

©Shenzhen Golden Electronics Co., Ltd. All rights reserved. All rights are reserved by the company. .