

MAIN FEATURE

1. Switching capacity 10A in small size for exclusive automobile control relay switching box use.
2. Standard and European Specification available to comply with various requirements.
3. Various selections on types of sealing.
4. Ambient temperature range covers from -40°C to +85°C.
5. Comply with RoHS, REACH and ELV regulations.

CONTACT RATING

Load Type	AR (DM)	AR (D)
Rated Load (Resistive)	3A 120VAC	3A 120VAC
	10A 12VDC	10A 12VDC
Rated Carrying Current	10A	10A
Max. Allowable Voltage	AC 120V	AC 120V
	DC 28V	DC 28V
Max. Allowable Current	10A	10A
Max. Allowable Power Force	360VA	360VA
	120W	120W
Min. Switching Load	DC 5V, 10mA	DC 5V, 10mA
Contact Material	Ag Alloy	Ag Alloy
Contact Form	SPST	SPDT

APPLICATION

Lighting Control, Door Lock Control, Power Window Control, Power Door Control, Sunroof Control

PERFORMANCE (AT INITIAL VALUE)

- Contact Resistance 100mΩMax. @1A,6VDC
- Operate Time..... 10 mSec. Max.
- Release Time 10 mSec. Max.
- Dielectric Strength:
 - Between Coil & Contact..... 1,000VAC at 50/60 Hz for one minute
 - Between Contacts 500VAC at 50/60 Hz for one minute
- Surge Strength 2,000V (between coil & contact 1x40 μ Sec.)
- Insulation Resistance 100 MegaΩ Min. at 500VDC
- Max. On/Off Switching:
 - Electrical..... 6 Cycles per Minute
 - Mechanical 300 Cycles per Minute
- Temperature Range -40~+85°C
- Humidity Range 45~85% RH
- Coil Temperature Rise 60°C Max.
- Vibration:
 - Destruction 10 to 55 to 10 Hz,0.75 mm single amplitude (1.5mm double amplitude)
 - Malfunction 10 to 55 to 10 Hz,0.75 mm single amplitude (1.5mm double amplitude)
- Shock:
 - Destruction 1000 m/S²
 - Malfunction 100 m/S²
- Life Expectancy:
 - Mechanical 10⁷ Operations at No Load condition
 - Electrical..... 10⁵ Operations at Rated Resistive Load
- Weight About 10g

SAFETY STANDARD & FILE NUMBER

- UL & C-UL E141060

COIL SPECIFICATION (AT 20°C)

Coil Sensitivity	Nominal Voltage (VDC)	Nominal Current (mA)	Coil Resistance ($\Omega \pm 10\%$)	Power Consumption (W)	Pull-In Voltage (VDC)	Drop-Out Voltage (VDC)	Maximum Allowable Voltage (VDC)
AR (Standard)	6	150	40	Abt. 0.93	80% Maximum	5% Minimum	150% (for short time carrying current)
	9	93	97				
	12	77	155				
	15	59	255				
	18	47	380				
AR (European)	6	214	28	Abt. 1.1	60% Maximum	5% Minimum	160% (for short time carrying current)
	12	92	130				
	24	46	520				

ORDERING INFORMATION

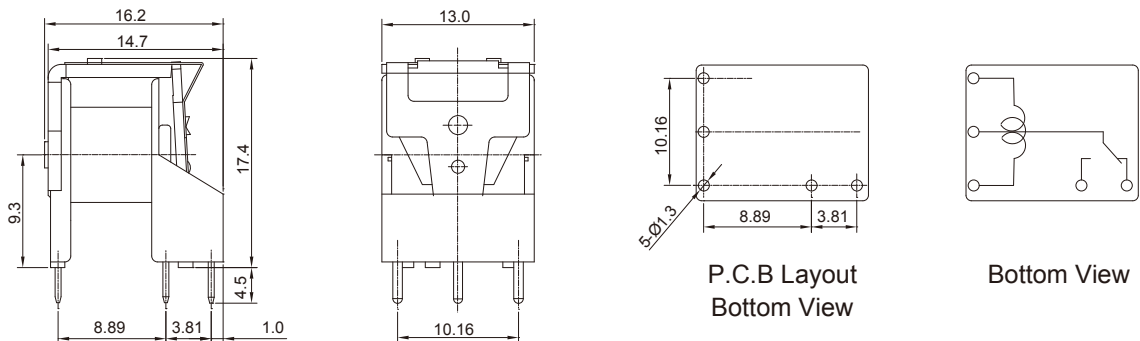
<p>AR - SS - 1 12 D M 1</p>	<p>Specification: Nil: Standard 1: European</p> <p>Contact Form: Nil: One Form C M: One Form A</p> <p>Coil Type: D: Standard DC</p> <p>Coil Voltage: 06: 6V, 09: 9V, 12: 12V, 15: 15V, 18: 18V, 24: 24V</p> <p>Number of Pole: 1: One Pole</p> <p>Type of Sealing: Nil: RT 0 Unclosed SS: RT II Flux Proofed SH: RT III Wash Tight</p>	<p>Type: AR</p>
------------------------------------	--	------------------------

CLASSIFICATION

Model	AR			
	Standard		European	
Coil Sensitivity				
Contact Form	1C	1A	1C	1A
Unclosed	AR-1□□D	AR-1□□DM	AR-1□□D1	AR-1□□DM1
Flux Proofed	AR-SS-1□□D	AR-SS-1□□DM	AR-SS-1□□D1	AR-SS-1□□DM1
Wash Tight	AR-SH-1□□D	AR-SH-1□□DM	AR-SH-1□□D1	AR-SH-1□□DM1

DIMENSION (≤ 5mm ± 0.2mm, > 5mm ± 0.3mm, the tolerance of PCB thru hole: +0.1mm)

AR



AR-SS/SH

