

AZEV180H

80 AMP POWER RELAY

FEATURES

- Up to 80 Amp switching capability
- Wide contact gap of ≥ 3.6 mm
- Clearance and creepage of ≥ 10 mm
- 5 kV dielectric strength, 10 kV surge withstand voltage
- UL Class F insulation (155°C)
- UL: E365652



CONTACTS

Arrangement	SPST-N.O. (1 Form A)
Ratings (max.) standard version switched power switched current switched voltage	(resistive load) 19200VA 80 A 240 VAC
Rated Loads UL/CUR	80A at 240 VAC, resistive, 85°C, 10k cycles
Contact material	AgSnO ₂ In ₂ O ₃ (silver tin oxide)
Contact gap	≥ 3.6 mm
Contact resistance Initial typical	(load contact) ≤ 100 m Ω (at 6V, 1A, voltage drop method) < 3 m Ω (at 6V, 1A, voltage drop method)

COIL

Nominal coil DC voltages	6, 9, 12, 24,
Dropout voltage	$\geq 5\%$ of nominal coil voltage
Holding voltage	$\geq 40\%$ of nominal coil voltage
Coil power nominal holding power at pickup voltage	(at 23 °C) 3 W 510 mW 1.8 W
Temperature Rise	70 K (126°F) at nom. coil voltage, 85°C
Max. temperature	Class F insulation - 155°C (311°F)

GENERAL DATA

Life Expectancy mechanical electrical	(minimum operations) 1×10^5 see UL/CUR ratings
Operate Time	40 ms (max.) at nominal coil voltage
Release Time	10 ms (max.) at nominal coil voltage, without coil suppression
Dielectric Strength coil to load contacts open load contacts	(at sea level for 1 min.) 5000 V _{RMS} 2500 V _{RMS}
Surge Voltage coil to contacts	10kV (at 1.2 x 50 μ s)
Insulation Resistance	1000 M Ω (min.) at 23°C, 500 VDC, 50% RH
Creepage coil to contact	≥ 10.0 mm
Clearance coil to contact	≥ 10.0 mm
Temperature Range operating	(at nominal coil voltage) -40°C (-40°F) to 85°C (185°F)
Vibration resistance	0.062" (1.5 mm) DA at 10–55 Hz
Shock	10 g
Enclosure protection category material group flammability	RT II, flux proof Illa UL94 V-0
Terminals	Tinned copper alloy, P. C.
Soldering max. temperature max. time	270 °C (518°F) 5 seconds
Dimensions length width height	41.0 mm (1.61") 36.0 mm (1.42") 43.0 mm (1.69")
Weight	95 grams (approx.)
Compliance	UL 508, IEC 61810-1, RoHS, REACH
Packing unit in pcs	10per plastic tube / 60 per carton box

ZETTLER

AZEV180H

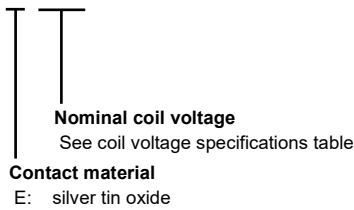
COIL VOLTAGE SPECIFICATIONS

Nominal Coil VDC	Must Operate VDC	Min. Holding VDC	Max. Cont. VDC	Resistance Ohm \pm 10%
6	4.5	2.4	6.6	12
9	6.75	3.6	9.9	26
12	9	4.8	13.2	46
24	18	9.6	26.4	186

Note: All values at 23°C (73°F), upright position, terminals downward.

ORDERING DATA

AZEV180H-1AE- D

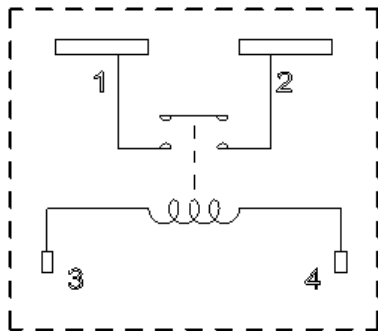


Example ordering data

AZEV180H-1AE-12D Contact material: silver tin oxide, 12 VDC nominal coil voltage

WIRING DIAGRAMS

Viewed towards terminals.

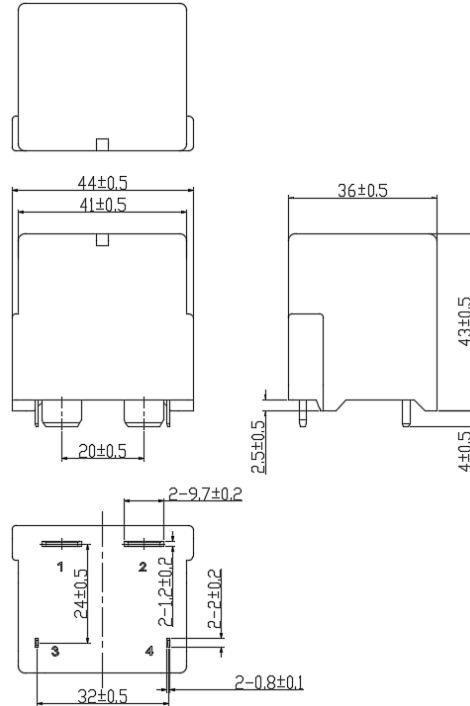


NOTES

- Specifications subject to change without notice.
- All values at 20°C (68°F) unless otherwise stated.
- Relay may pull in with less than "Must Operate" value.
- Recommended wire cross section according to IEC 61810-1 at 80A: 25mm²
- Coil suppression circuits such as diodes, etc. in parallel to the coil will lengthen the release time.

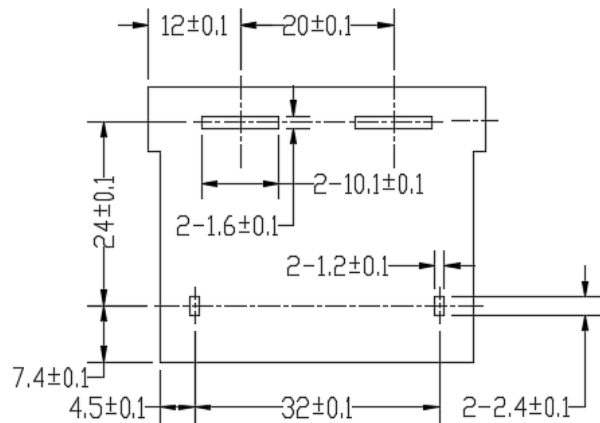
MECHANICAL DATA

Dimensions in mm. Tolerance: \pm 0.5mm



PC BOARD LAYOUT

Dimensions in mm. Tolerance: \pm 0.1mm unless otherwise stated
Viewed towards terminals.



AZEV180H

DISCLAIMER

This product specification is to be used in conjunction with the application notes which can be downloaded from the regional ZETTLER relay websites. The specification provides an overview of the most significant part features. Any individual applications and operating conditions are not taken into consideration. It is recommended to test the product under application conditions. Responsibility for the application remains with the customer. Proper operation and service life cannot be guaranteed if the part is operated outside the specified limits.

ZETTLER GROUP

Building on a foundation of more than a century of expertise in German precision engineering, ZETTLER Group is a world-class enterprise, engaged in the design, manufacturing, sales and distribution of electronic components. Our industry leadership is based on a unique combination of engineering competence and global scale.

For more information on other ZETTLER Group companies, please visit [zettler-group.com](https://www.zettler-group.com). For support on this product or other ZETTLER relays, please visit one of the group sites below.

SITES FOR ZETTLER RELAYS

NORTH AMERICA

American Zettler, Inc.
www.azettler.com
sales@azettler.com

EUROPE

Zettler Electronics, GmbH
www.zettlerelectronics.com
office@zettlerelectronics.com

Zettler Electronics, Poland
www.zettlerelectronics.pl
office@zettlerelectronics.pl

CHINA

Zettler Group, China
www.zettlercn.com
relay@zettlercn.com

ASIA PACIFIC

Zettler Electronics (HK) Ltd.
www.zettlerhk.com
sales@zettlerhk.com



ZETTLER