



ISO9001、ISO14001 Certification Enterprises

Main Feature

1. Small size (20x15x10.2 in mm) produces a switching capacity up to 8A for high density P.C.Board mounting technique.
2. The contact form construction is 1H/1HD
3. The Surge Resistance of BMDseries is 10,000V
4. Sealing Construction (Free from dust and solder flux):
BMD-SS: Plastic Sealed Type.
5. The selection of plastic insulation material is designed for high temperature and provides better chemical solution performance.
6. RoHS Compliant.

Contact Rating

- Nominal Load(Resistive Load Cos $\phi = 1$)
Contact Capacity
BMD- 1H/1HD.....8A at 250VAC
8A at 30VDC
- Max. Allowable Current
BMD- 1H/1HD8A
- Max. Allowable Voltage
BMD- 1H/1HD.....AC250V DC30V
- Max. Allowable Power Force
BMD- 1H/1HD.....2000VA 240W
- Contact Material..... Ag Alloy
- Contact Form.....SPDT&SPST

Performance (at Initial Value)

- Contact Resistance..... $\leq 100m\ \Omega$ at 6VDC/1A
- Operate Time.....10ms. Max
- Release Time..... 5ms. Max
- Dielectric Strength:
Between Coil & Contact.....4000VAC at 50/60 Hz
for one minute
Between Contacts.....1000VAC at 50/60 Hz
for one minute
- Surge Resistance.....10,000V (between Coil
& Contact 1.2x50 μ s)

Application

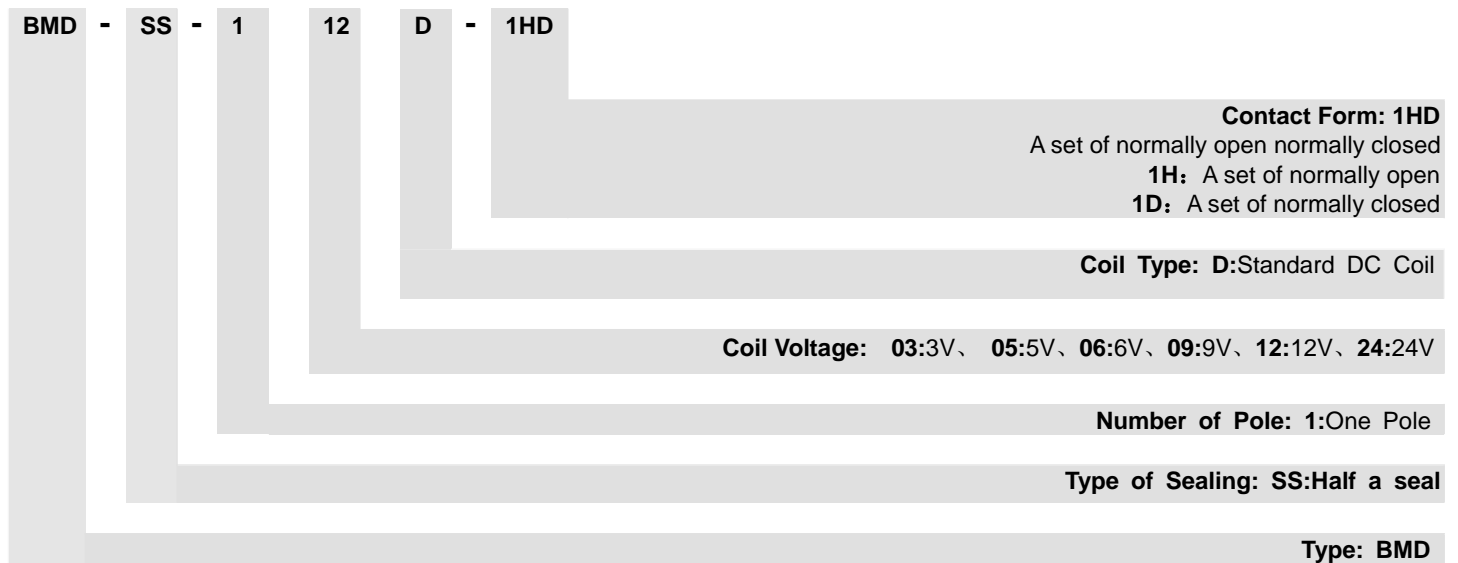
Air Conditioning, Fridge, Washing Machine, etc Household Appliances

- Insulation Resistance.....1,000 Mega Ω Min. at 500VDC
- Max. On/Off Switching:
Electrical.....30 Ops per minute
Mechanical.....300 Ops per minute
- Temperature Range..... - 40~70°C
- Humidity Range..... 5%~85% RH
- Coil Temperature Rise..... 35°C Maximum
- Vibration:
Endurance.....10 to 55 Hz dual
amplitude width 1.5mm
Error Operation.....10 to 55 Hz dual
amplitude width 1.5mm
- Shock:
Endurance..... 981m/s² Min
Error Operation..... 98.1m/s² Min
- Life Expectancy:
Electrical..... 1×10^5 Operations at
Rated Resistive
load
Mechanical..... 5×10^7 Operations at
No load condition
- Weight.....about 6g

Safety Standard & Its File Number

Pending

Ordering Information



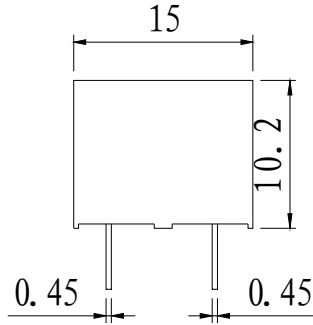
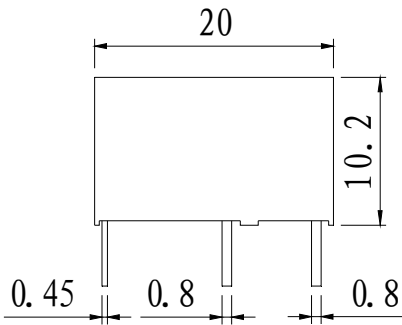
Classificatio

Model	BMD		
Coil Sensitivity	Standard DC Coil		
	1H	1HD	1D
Flow Solder Type	BMD -SS-1□□D-1H	BMD -SS-1□□D-1HD	BMD -SS-1□□D-1D

One coil magnetic hold

额定电压 VDC	动作、复归电压 VDC	脉冲宽度 ms	线圈电阻×(1±10%) Ω	
			300mW	200mW
3	≤2.25	≥50	30	45
5	≤3.75	≥50	83.3	125
6	≤4.65	≥50	120	180
9	≤6.975	≥50	270	405
12	≤9	≥50	480	720
24	≤18	≥50	1920	2880

Dimension



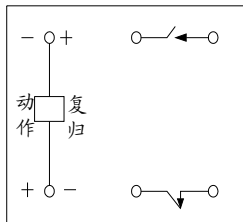
未标注尺寸公差

Uncharted size tolerance:

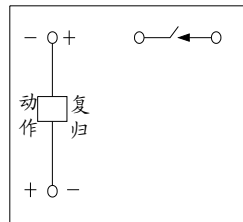
< 1mm: ±0.2mm

1 ~ 5mm: ±0.3mm

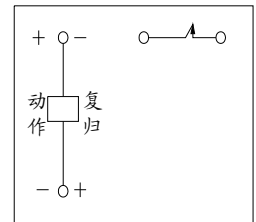
> 5mm: ±0.4mm



1HD



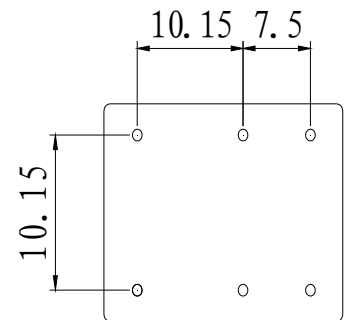
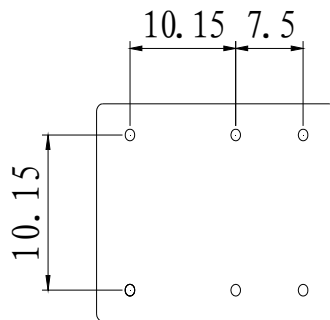
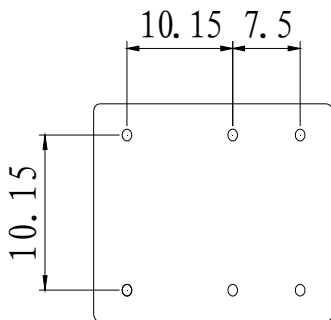
1H



1D

接线图(底视图)

Wiring Diagram(bottom view)



安装孔位图(底视图)

P. C. Blayout (bottom view)