



CRST4141

尺寸(Dimensions):28X28X25(+16)mm

特点 Features

- 1,体积小,重量轻 Small Size and light weight.
- 2,触点负载大(60A) Contact load capacity up to 60A.
- 3,供汽车配套使用 Suitable for automobile and lamp accessories application.
- 4,具有插入式和印刷线路板式两种安装方式 PC Board mounting and direct insert mounting available.

订货信息 Ordering information

CRST 4141--C-S-DC12V--P---R

1 2 3 4 5 6

- 1,型号 Part number: CRST4141
- 2,触点形式 Contact arrangement:A:1A(60A);B:1B(50A);C:1C(50/60A)
- 3,封装形式:S:试水式;无:防尘式 Enclosure: S:Sealed type; Z:Dust cover
- 4,线圈额定电压 Coil rated voltage(V):DC:6,9,12,24
- 5,引出端 Terminals: P:PCB Type; Nil: Plug in type
- 6,线圈瞬态抑制:R:带电阻;无:标准式 Coil transient suppression: R:with Resistance; Nil: Standard

触点数据 Contact data

触点形式 Contact Arrangement	1A 1B 1C	
触点材料 Contact Material	AgNi, AgSnO ₂ , AgCdO	
触点负载(阻性) Contact Rating(Resistive)	40A/14VDC	
最大切换功率 Max.Switching Power	560W	
最大切换电压 Max.Switching Voltage	30VDC 最大切换电流 Max.Switching Current:60A	
触点阻性或压降 Contact Resistance or Voltage Drop	≤50mΩ	
寿命 Operation Life	电气 Electrical	10 ⁵
	机械 Mechanical	10 ⁷

线圈参数 Coil Parameter (23℃)

线圈电压 Coil voltage(VDC)		线圈电阻 Coil Resistance	吸合电压 VDC(最大) Pick up Voltage VDC(Max) (额定电压的 75%) (75% of rated voltage)	释放电压 VDC Release voltage VDC(Min) (额定电压的 10%) (10% of rated voltage)	线圈功耗 Coil power consumption (W)	动作时间 Operate Time (mS)	释放时间 Release Time (mS)
额定 Rated	最大 Max	Ω ±10%					
12	15.6	90.0	9.0	1.2	1.6	≤10	≤10
24	31.2	360	9.0	1.2			
12	15.6	80.0	9.0	1.2	1.8		
24	31.2	320	18.0	2.4			

注意:1,使用的线圈电压低于线圈额定电压时将会损害继电器的工作.

2,吸合,释放电压仅供检测用,不是设计的使用指标.

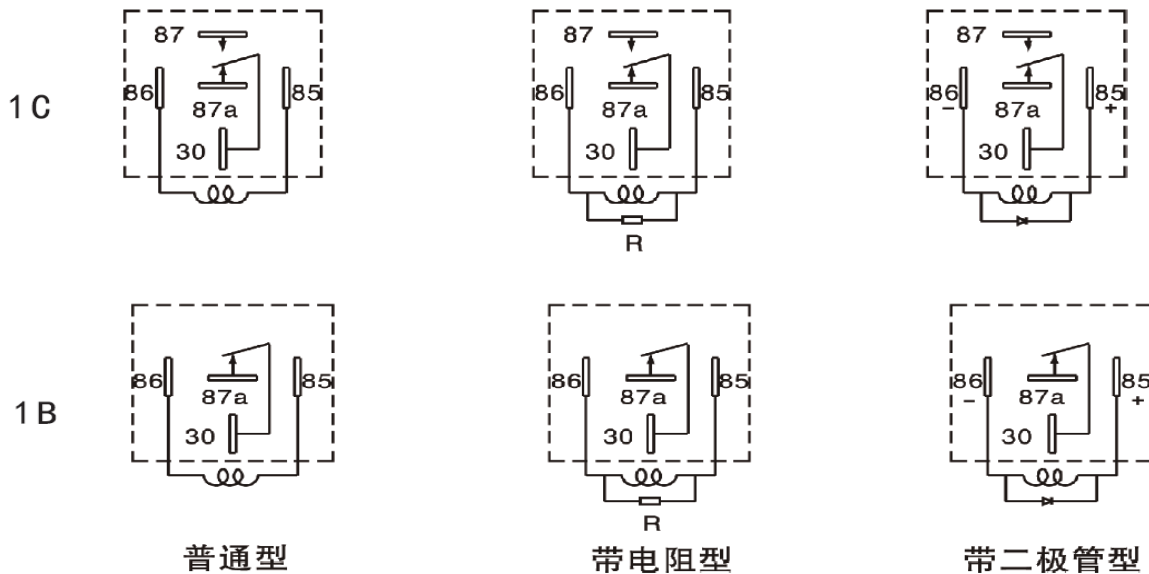
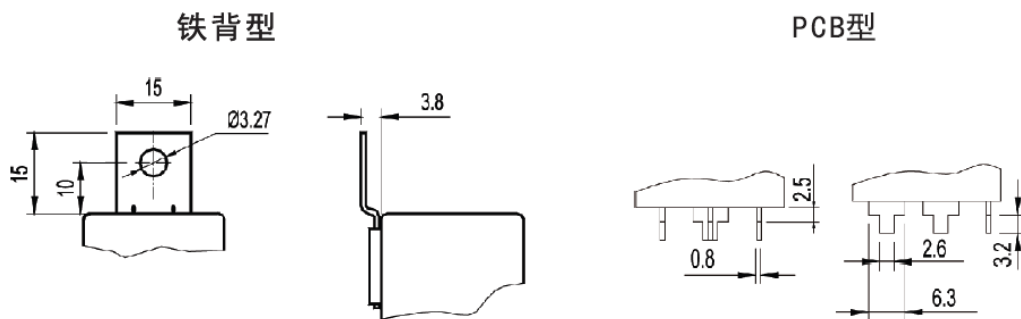
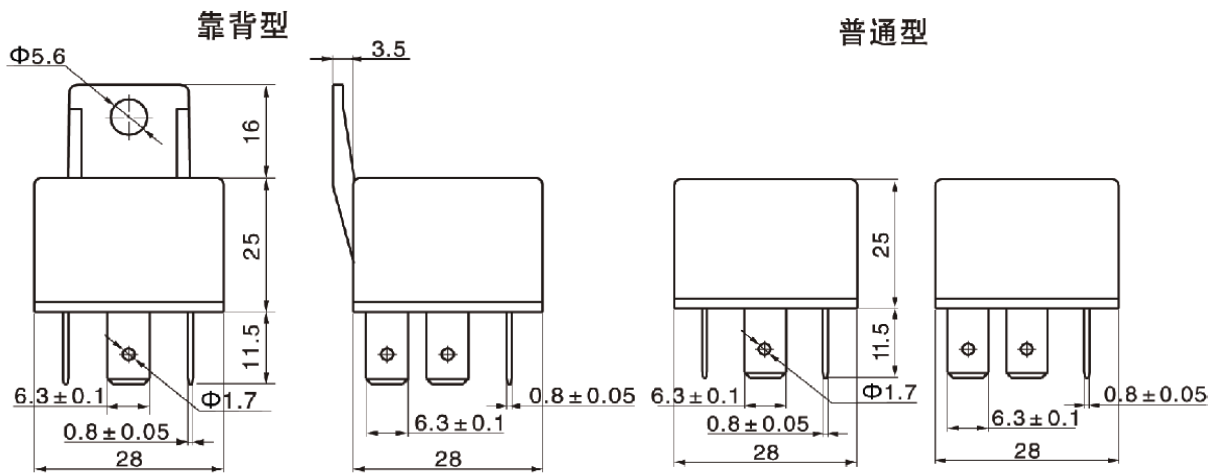
Caution:1,The use of any coil voltage less than the rated coil voltage will compromise the operation of the relay.

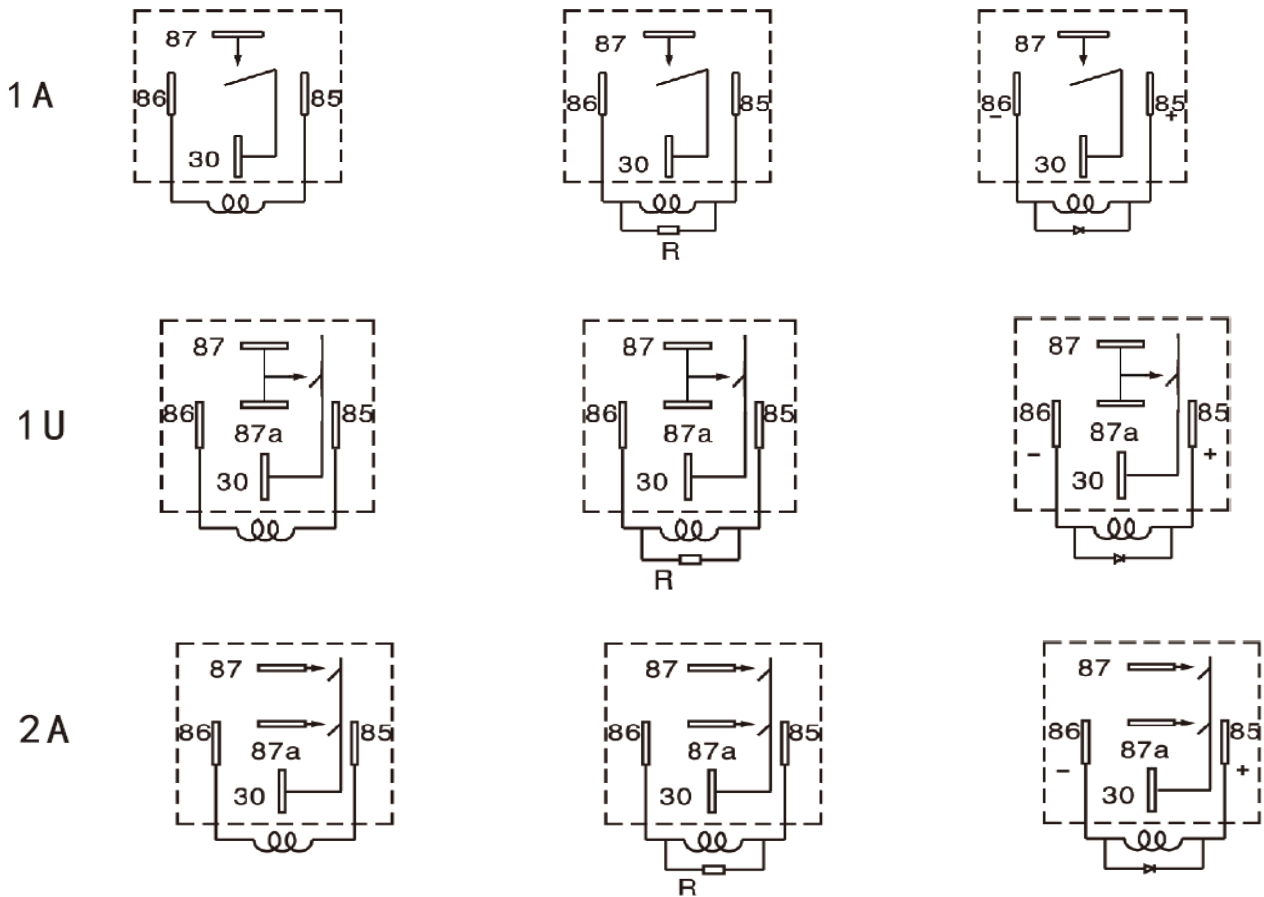
2,Pick up and release voltage are for test purposes only and are not be used as design criteria.

技术特性 Operation condition

绝缘电阻 Insulation Resistance	100M Ω (500VDC)	
介质耐压 Dielectric Strength	断开触点间 Between Contacts	500VAC
	触点与线圈间 Between Contacts and Coil	500VAC
耐冲击 Shock Resistance	动作极限 Functional	20G
	破坏极限 Destructive	200G
抗振性 Vibration Resistance	10~55Hz 双振幅 Double amplitude 1.5mm	
环境温度 Ambient Temperature	-40~+125 $^{\circ}$ C	
相当湿度 Relative Humidity	85%(at 40 $^{\circ}$ C)	
质(重)量 Unit weight	Approx.32.5g	

外形尺寸 Dimensions(mm/Inch)



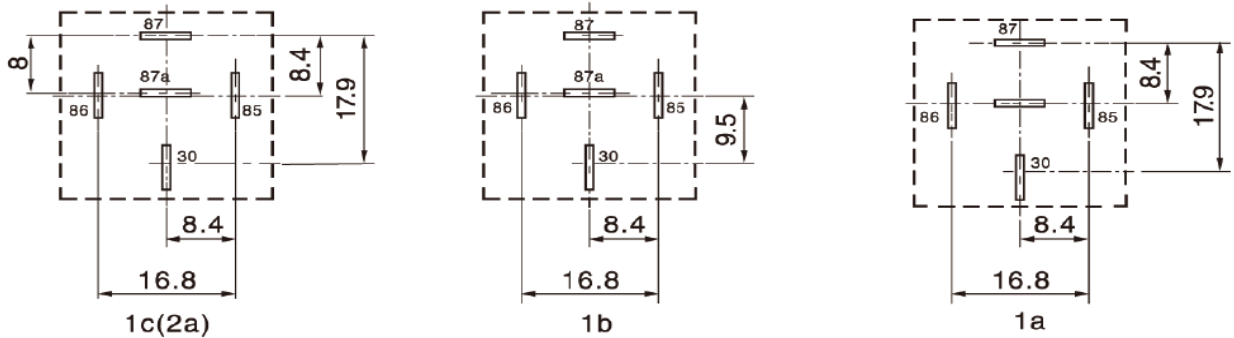


普通型

带电阻型

带二极管型

接线图(底视图)

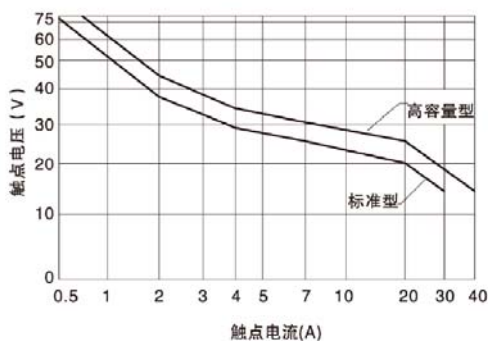


安装孔位图(底视图)

Dimension Tolerance: <math>< 1\text{mm}: \pm 0.2\text{mm}</math>
 1--5mm: $\pm 0.3\text{mm}</math>
 >5mm: $\pm 0.5\text{mm}</math>$$

参考数据 Reference Data

最大切换功率



环境温度 vs 线圈电压

